

# Kidde ECS Fire Suppression System Component Description



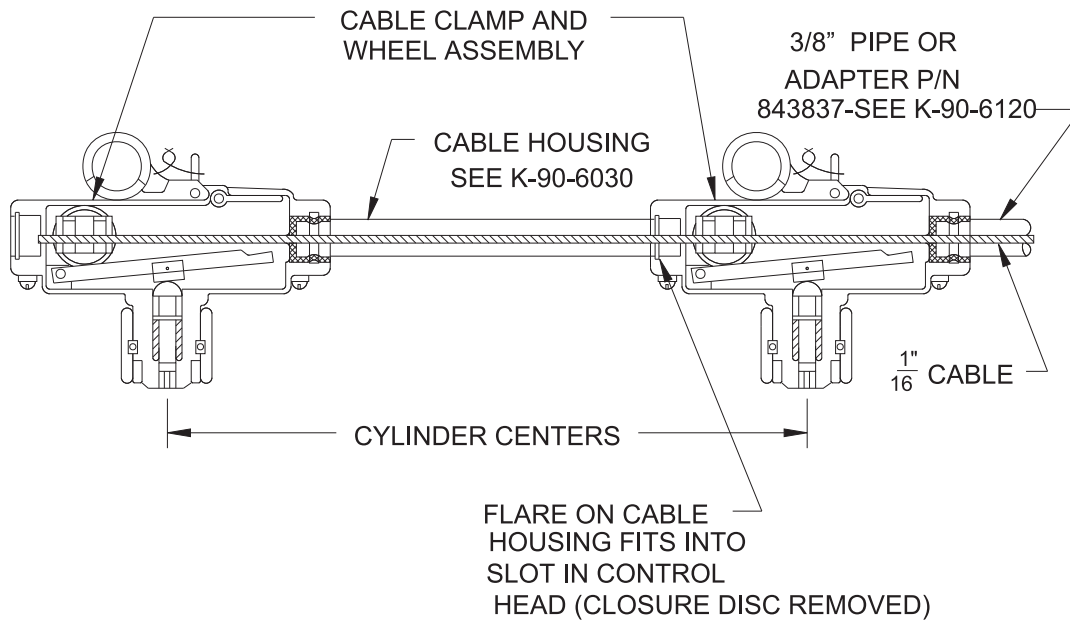
Effective: June 2014

K-90-6021 Rev BA

## Tandem Cable Operated Control Heads – Installation Detail

### FEATURES

- For Use with UL Listed, ULC Listed and FM Approved Systems
- See Kidde® Manual 06-236225-001 for USCG Approval



### COMPATIBILITY

Series	For Use With
Kidde ECS HFC-227ea	X
Kidde ECS Advanced Delivery FM-200®	X

This literature is provided for informational purposes only. KIDDE-FENWAL, INC. assumes no responsibility for the product's suitability for a particular application. The product must be properly applied to work correctly. If you need more information on this product, or if you have a particular problem or question, contact KIDDE-FENWAL, Inc.

FM-200 is a registered trademark of E.I. du Pont de Nemours and Company. Kidde is a registered trademark of Kidde-Fenwal Inc. All other trademarks are the property of their respective owners.